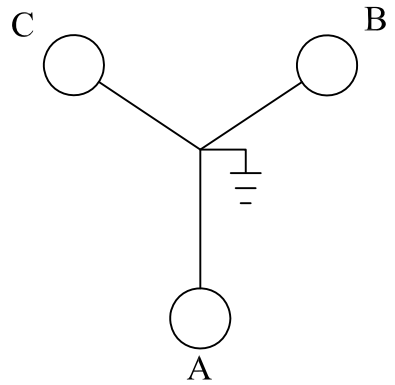
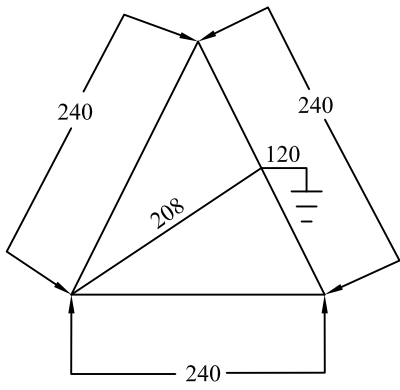


4 Wire Delta



4-Wire $\left\{ \begin{array}{l} 277/480 \text{ Y} \\ 120/208 \text{ Y} \end{array} \right.$

Rigid Steel Conduit Furnished and installed by customer.

Service Entrance Conductors Furnished and installed by Customer.

Secondary arrester provided by and installed by the Cooperative (only required for 480 Volt).

Grounded arrester wire installed by Customer.

Phasing arrester wire installed by Customer.

